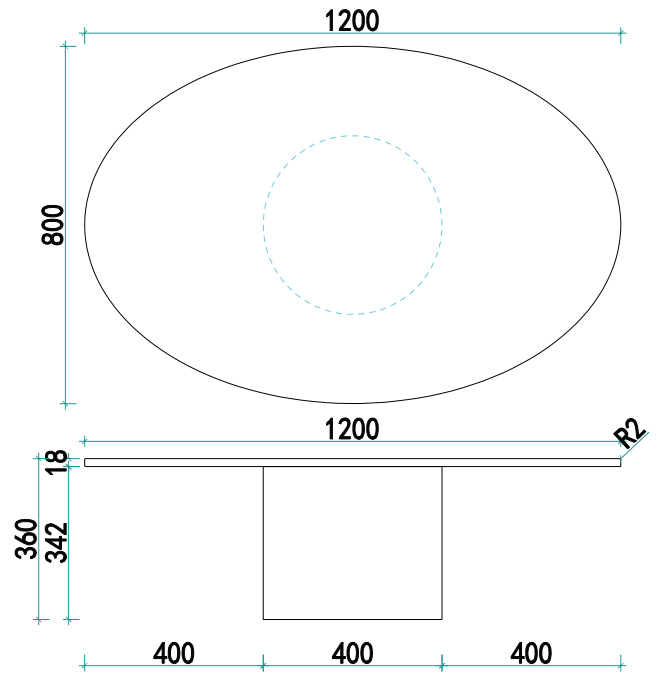


PURE WHITE LINES

EST. 2012



Argent Travertine Coffee Table

Technical Specification Sheet

Dimensions

excluding rose & chain (cm)

W	D	H
1200	700	360

Weight

159 kg

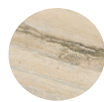
Product code

PWL91115

Materials

Solid Travertine

Colour



Travertine

Packaging dims

Box 1: 126 x 7 x 86 CM

Box 2: 47 x 47 x 41 CM

Packaging weight

166 kg

Assembly required

Partial

Care advice

Dust with lint free cloth