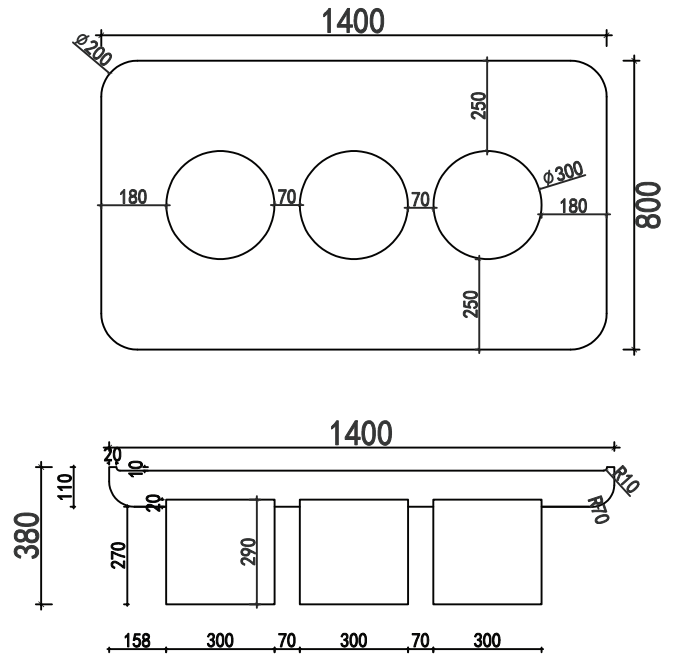


# PURE WHITE LINES

EST. 2012



## Xavier Marble Coffee Table

### Technical Specification Sheet

#### Dimensions

excluding rose & chain (cm)

W	D	H
140	80	38

#### Weight

380 kg

#### Product code

PWL84353

#### Materials

Marble

#### Available Colours



Napoleon Black

#### Packaging dims

Box 1: L150 x W90 x H28  
Box 2: L108 x W40 x H44 cm

#### Packaging weight

380 kg

#### Assembly required

Partial

#### Care advice

Dust with lint free cloth